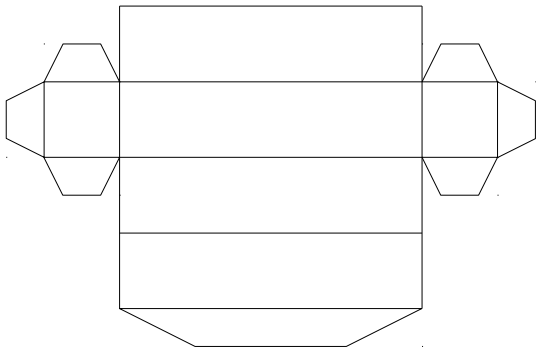
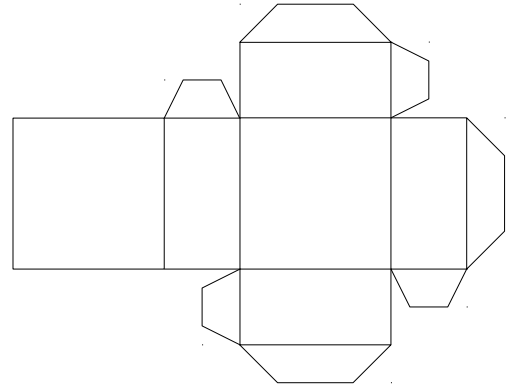


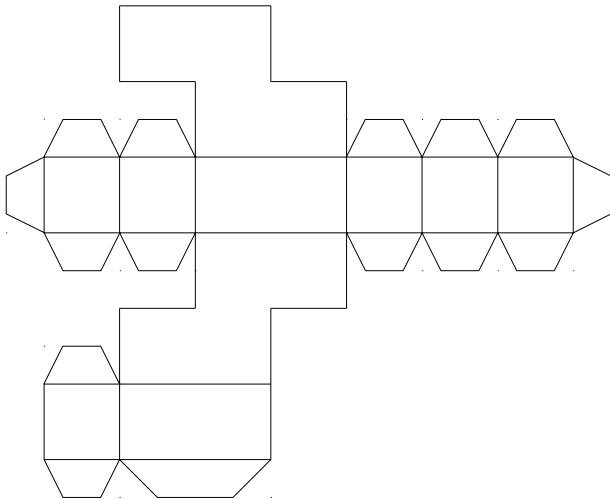
Nets for constructing tetrads



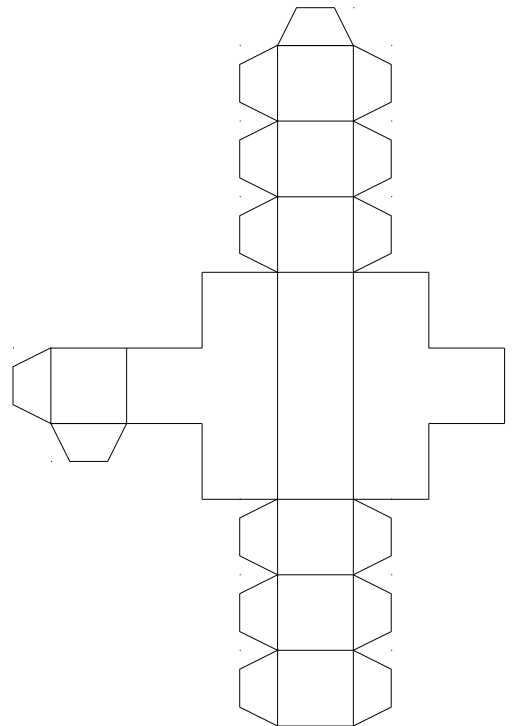
I block



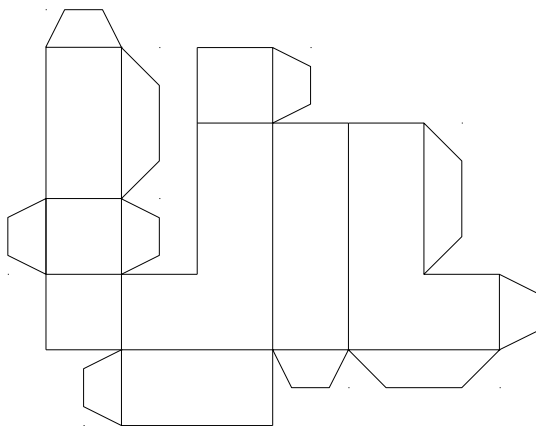
Box



S and Z blocks



T block



L and J blocks

When constructed correctly, these nets produce small models of the tetrad shown below:

